



Solid, simple and smart: advanced reliability in compressed air

50Hz Oil-injected screw compressors fixed and variable speed

CSM60-180 DRD60-120, CSMV60-180 PM DRD60-120 PM



www.ceccato.com



High performance components make for CSM60-180 and DRD60-120 series



Reliability

- Designed with 150 years industry experience
- Careful qualification of components
- Continuous endurance testing
- World class branded electricals.



Safety

- Emergency stop
- Protection grid
- Internal and external protection for the electric fan



Quality assurance

- High capacity oil/air coolers, perfect air filtration and cooling guarantee less thermal shocks and a longer life
- ISO9001, ISO14001 quality assurance
- OHSAS 18001 quality assurance
- End to end quality testing procedure



Easy installation and service

- Plug and play design
- No special foundation needed
- Easy access to all service components
- Minimum downtime at service intervention



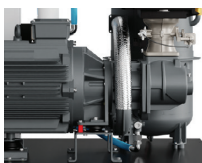
Air cooler & oil cooler

Separate oil and air cooler for high-quality cooling. Perfect work at 46° C ambient temperature.



ES4000T controller

Easy-to-use, graphical touchscreen display with integrated connectivity to optimize and save energy.



Ceccato's in-house designed element

Guarantee the quality of compressed air and efficient operation. Maximum the transmission efficiency via short gearset.



High efficiency air filter

Low pressure drop, less noise and 99.9% removal efficiency at 3µm solid particles.



Bionic design of fan

Lower wind drag and lower the noise by latest eagle wing-type fan install.

Technical Data

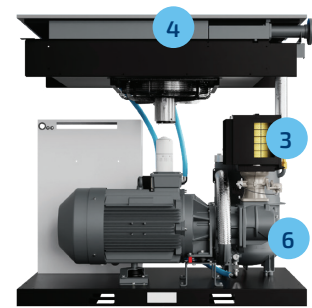
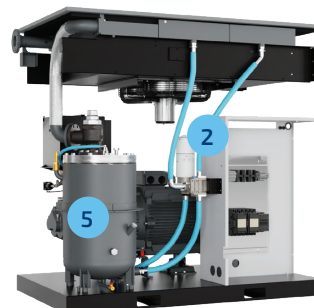
Model	Working Pressure	Max. Pressure	Motor power		Capacity FAD*		Noise	Weight	Connection	Dimensions		
	mpa	mpa	kW	hp	l/s	cfm	dB(A)	kg	Size	L(mm)	W(mm)	H(mm)
CSM60	0.7	0.75	45	60	132	280	72	866	G1 1/2"	1723	980	1600
	0.8	0.85			127	269						
	1	1.05			118	250						
	1.3	1.3			101	213						
CSM75	0.7	0.75	55	75	172	364	75	1100	G2"	1656	1089	1840
	0.8	0.85			161	340						
	1	1.05			142	301						
CSM100	0.7	0.75	75	100	227	481	74	1285	G2"	1756	1089	1840
	0.8	0.85			214	454						
	1	1.05			190	403						
CSM120	0.7	0.75	90	120	279	590	75	1400	G2"	1756	1089	1840
	0.8	0.85			265	561						
	1	1.05			236	501						
CSM150	0.7	0.75	110	150	343	726	80	1725	DN80	2052	1325	2000
	0.8	0.85			328	695						
	1	1.05			289	611						
	1.25	1.3			259	549						
CSM180	0.7	0.75	132	180	402	852	80	2015	DN80	2052	1325	2000
	0.8	0.85			383	810						
	1	1.05			340	719						
	1.25	1.3			304	645						

Model	Working Pressure	Max. Pressure	Motor power		Capacity FAD*		Noise	Weight	Connection	Dimensions		
	mpa	mpa	kW	hp	l/s	cfm	dB(A)	kg	Size	L(mm)	W(mm)	H(mm)
DRD60	0.7	0.75	45	60	133	281	70	906	G1 1/2"	1723	980	1600
	0.8	0.85			133	281						
	1	1.05			114	241						
	1.3	1.3			100	211						
DRD75	0.7	0.75	55	75	187	396	75	1110	G2"	1656	1089	1840
	0.8	0.85			177	375						
	1	1.05			153	325						
	1.25	1.3			137	289						
DRD100	0.7	0.75	75	100	248	526	74	1295	G2"	1756	1089	1840
	0.8	0.85			235	498						
	1	1.05			204	433						
	1.25	1.3			177	375						
DRD120	0.7	0.75	90	120	282	598	75	1300	G2"	1756	1089	1840
	0.8	0.85			269	570						
	1	1.05			240	508						
	1.25	1.3			207	438						

* Unit performance measured according to ISO 1217, Annex C, latest edition and ISO 2151.

Pioneering components make for a revolutionary range

- 1 Controller
- 2 Oil filter
- 3 Air filter
- 4 Air cooler & oil cooler
- 5 Oil-separator vessel
- 6 Screw element



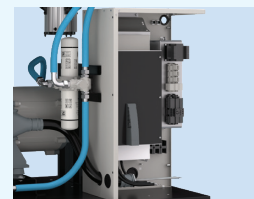
Variable speed series: CSMV60-180 PM, DRD60-120 PM

Concerning to the factory life-cycle cost, the minimal operation cost can really benefit customer investment. Designed for frequently commissioning at load and unload condition, Ceccato CSMV PM and DRD PM air compressor meets the minimum power consumption to throughout the long-term commissioning and it can cut your energy bill by up to 35%.



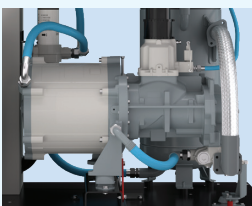
ES4000T controller

- Remotely connect to your compressor anywhere, at any given moment
- Maximize productivity by eliminating the risk of downtime
- Increase reliability through planned service interventions
- Reports suggest cost optimizations



Imperium inverter

In-house designed Imperium inverter ensures perfect match between air demand and air supply.



Oil-cooled drive train

Unique design, reliable and high efficiency drive train contribute to reduce energy loss and operation cost.



Integrated fan

- Start stop coordinated by controller in accordance with the oil temperature.

Technical Data

Model	Working Pressure Min-Max		Motor power		Capacity FAD*		Noise	Weight	Connection	Dimensions		
	mpa	psig	kW	hp	l/s	cfm	dB(A)	kg	Size	L(mm)	W(mm)	H(mm)
CSMV60 PM	0.7-1.0	100-145	45	60	28-142	60-300	74	750	G1 1/2"	1723	980	1600
CSMV75 PM	0.70-0.85	100-123	55	75	43-183	92-388	75	840	G2"	1656	1089	1840
	1.00-1.05	145-152			38-157	81-332						
CSMV100 PM	0.70-0.85	100-123	75	100	52-210	109-445	79	865	G2"	1656	1089	1840
	1.00-1.05	145-152			47-182	99-385						
CSMV120 PM	0.70-0.85	100-123	90	120	67-288	141-611	77	1080	G2"	1756	1089	1840
	1.00-1.05	145-152			60-240	127-509						
CSMV150 PM	0.70-0.85	100-123	110	150	87-340	184-720	80	1490	DN80	2052	1325	2000
	1.00-1.30	145-189			102-287	215-607						
CSMV180 PM	0.70-0.85	100-123	132	180	98-402	208-851	80	1580	DN80	2052	1325	2000
	1.00-1.30	145-189			102-340	215-720						

Model	Working Pressure Min-Max		Motor power		Capacity FAD*		Noise	Weight	Connection	Dimensions		
	mpa	psig	kW	hp	l/s	cfm	dB(A)	kg	Size	L(mm)	W(mm)	H(mm)
DRD60 PM	0.7-1.30	100-190	45	60	33-145	69-307	71	733	G1 1/2"	1723	980	1600
DRD75 PM	0.70-0.85	100-123	55	75	45-188	95-399	75	825	G2"	1656	1089	1840
	1.00-1.30	145-189			40-162	85-343						
DRD95 PM	0.70-0.85	100-123	75	100	53-215	113-456	79	840	G2"	1656	1089	1840
	1.00-1.30	145-189			43-185	92-392						
DRD100 PM	0.70-0.85	100-123	75	100	58-250	124-530	76	1035	G2"	1756	1089	1840
	1.00-1.30	145-189			48-213	102-452						
DRD120 PM	0.70-0.85	100-123	90	120	70-300	148-636	76	1065	G2"	1756	1089	1840
	1.00-1.30	145-189			55-255	117-540						

* Unit performance measured according to ISO 1217, Annex C, latest edition and ISO 2151.

Features and benefits

- 1 Less downtime
- 2 Robust and user-friendly
- 3 Industrial leading efficiency class



Revolutionary drive train technology

Improved energy efficiency saves your money

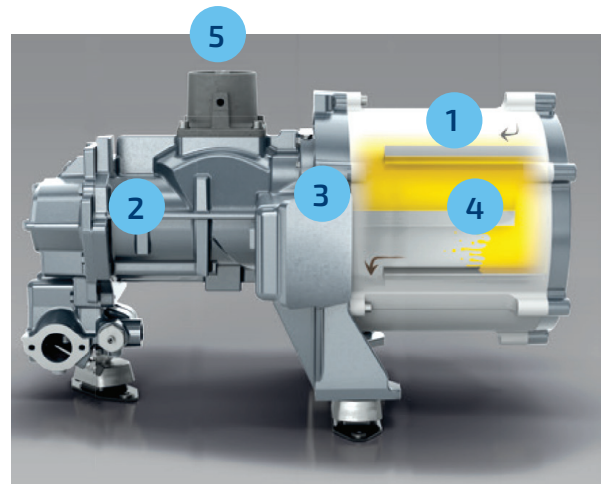
- In-house designed oil-cooled PM motor with oil-cooled PM Super Premium Efficiency.
- New generation in-house designed screw elements, with improved efficiency.
- Integrated direct drive transmission for minimal losses.
- Smart inlet valve optimizes the inlet flow and improves efficiency.

Increased reliability extends lifetime

- Oil-cooled PM motor rated IP66, premium protection against dust and water ingress.
- Globally renowned screw elements, proven in thousands of installations.
- Optimal cooling at all speeds and conditions thanks to oil-cooling principle of the oil-cooled PM motor.

Maintenance-free design minimizes downtime and improves your productivity

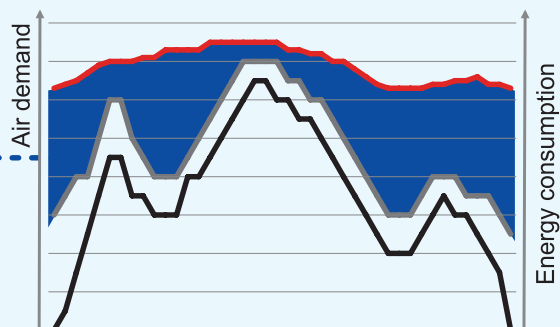
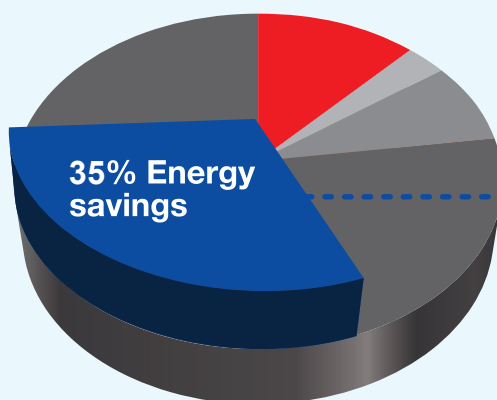
- Coupling-free direct drive design, no maintenance needed.
- Smart inlet valve, no maintenance needed.



- 1 Oil-cooled PM motor
- 2 In-house designed screw elements
- 3 Direct drive
- 4 Oil-cooling
- 5 Smart inlet valve

We protect your efficiency

Energy costs represent about 70% of the total operating cost of your compressor over a 5 year period. That's why reducing the operating cost of a compressed air solution is a major focus. Variable frequency driven compressors can cut the energy bill of your compressor by up to 35%.



- 12% investment
- 3% installation
- 8% Service
- 77% Energy consumption
- Air demand
- Variable frequency driven costs
- Load Unload costs
- Savings

A total solution for your quality air

Complete compressor room solutions

- 1 Air compressor
- 2 Air dryer
- 3 Line filters
- 4 Oil separators
- 5 Air receiver buffer storage
- 6 Piping system
- 7 Central controller



Line Filters

Purify the compressed air by eliminating oil/dust contaminants resulting in higher final product quality and an increase of your overall productivity.

Air Receiver

Buffer storage for compressed air. Helps with condensate separation, pressure stabilization and more efficient operation of the compressor.

Oil Water Separator

Captures the oil in compressor condensate so it can be disposed of in an safe and environment-friendly way.

AIRnet

Fast to install, reliable piping system, designed for compressed air applications offers lowest total cost of ownership.

Complete your compressed air installation with an ICONS plan

What if your compressor needs service or an immediate intervention? With an ICONS plan, you get an alert from your controller delivered straight to your computer, tablet or smartphone. Wherever you are, you can take immediate action and reduce the risk of downtime and other costs.

With connectivity



Without connectivity





Contact your local representative:

www.ceccato.com



CARE

Care is what service is all about: professional service by knowledgeable people, using high-quality original parts.

TRUST

Trust is earned by delivering on our promises of reliable, uninterrupted performance and long equipment lifetime.

EFFICIENCY

Equipment efficiency is ensured by regular maintenance. Efficiency of the service organization is how Original Parts and Service make the difference.

© March 2023, Ceccato. All rights reserved. All mentioned brands, product names, company names, trademarks and service marks are the properties of their respective owners. Our products are constantly being developed and improved. We thus reserve the right to modify product specifications without prior notice. Pictures are not contractually binding.

