



Solid, simple and smart: advanced reliability in compressed air

60Hz Oil-injected screw compressors fixed and variable speed

CSM60-180 DRD60-120, CSMV60-180 PM DRD60-120 PM



www.ceccato.com



High performance components make for CSM60-180 and DRD60-120 series



Reliability

- Designed with 150 years industry experience
- Careful qualification of components
- Continuous endurance testing
- World class branded electricals.



Safety

- Emergency stop
- Protection grid
- Internal and external protection for the electric fan



Quality assurance

- High capacity oil/air coolers, perfect air filtration and cooling guarantee less thermal shocks and a longer life
- ISO9001, ISO14001 quality assurance
- OHSAS 18001 quality assurance
- End to end quality testing procedure



Easy installation and service

- Plug and play design
- No special foundation needed
- Easy access to all service components
- Minimum downtime at service intervention



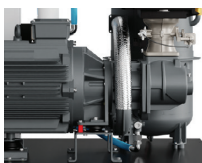
Air cooler & oil cooler

Separate oil and air cooler for high-quality cooling. Perfect work at 46° C ambient temperature.



ES4000T controller

Easy-to-use, graphical touchscreen display with integrated connectivity to optimize and save energy.



Ceccato's in-house designed element

Guarantee the quality of compressed air and efficient operation. Maximum the transmission efficiency via short gearset.



High efficiency air filter

Low pressure drop, less noise and 99.9% removal efficiency at 3µm solid particles.



Bionic design of fan

Lower wind drag and lower the noise by latest eagle wing-type fan install.

Technical Data

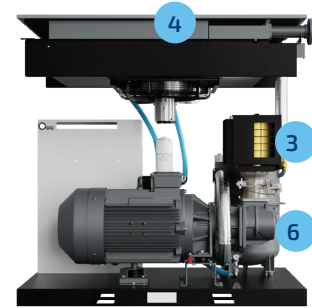
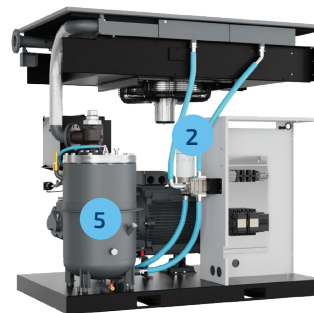
| Model | Working Pressure | | Motor power | | Capacity FAD* | | Noise | Weight | Connection | Dimensions | | |
|--------|------------------|------|-------------|-----|---------------|-----|-------|--------|------------|------------|------|------|
| | mpa | psig | kW | hp | l/s | cfm | | | | dB(A) | kg | Size |
| CSM60 | 0.7 | 100 | 45 | 60 | 128 | 271 | 72 | 866 | G1 1/2" | 1723 | 980 | 1600 |
| | 0.8 | 115 | | | 128 | 271 | | | | | | |
| | 1 | 145 | | | 117 | 249 | | | | | | |
| | 1.25 | 180 | | | 98 | 208 | | | | | | |
| CSM75 | 0.7 | 100 | 55 | 75 | 172 | 364 | 76 | 1100 | G2" | 1656 | 1089 | 1840 |
| | 0.8 | 115 | | | 161 | 340 | | | | | | |
| | 1 | 145 | | | 143 | 303 | | | | | | |
| CSM100 | 0.7 | 100 | 75 | 100 | 227 | 481 | 75 | 1285 | G2" | 1756 | 1089 | 1840 |
| | 0.8 | 115 | | | 214 | 454 | | | | | | |
| | 1 | 145 | | | 194 | 412 | | | | | | |
| CSM120 | 0.7 | 100 | 90 | 120 | 279 | 590 | 76 | 1400 | G2" | 1756 | 1089 | 1840 |
| | 0.8 | 115 | | | 265 | 561 | | | | | | |
| | 1 | 145 | | | 236 | 501 | | | | | | |
| CSM150 | 0.7 | 100 | 110 | 150 | 345 | 731 | 81 | 1725 | DN80 | 2052 | 1325 | 2000 |
| | 0.8 | 115 | | | 328 | 695 | | | | | | |
| | 1 | 145 | | | 293 | 620 | | | | | | |
| | 1.25 | 180 | | | 262 | 554 | | | | | | |
| CSM180 | 0.7 | 100 | 132 | 180 | 407 | 862 | 81 | 2015 | DN80 | 2052 | 1325 | 2000 |
| | 0.8 | 115 | | | 382 | 809 | | | | | | |
| | 1 | 145 | | | 343 | 726 | | | | | | |
| | 1.25 | 180 | | | 306 | 649 | | | | | | |

| Model | Working Pressure | | Motor power | | Capacity FAD* | | Noise | Weight | Connection | Dimensions | | |
|--------|------------------|------|-------------|-----|---------------|-----|-------|--------|------------|------------|------|------|
| | mpa | psig | kW | hp | l/s | cfm | | | | dB(A) | kg | Size |
| DRD60 | 0.7 | 100 | 45 | 60 | 134 | 283 | 70 | 906 | G1 1/2" | 1723 | 980 | 1600 |
| | 0.8 | 115 | | | 133 | 282 | | | | | | |
| | 1 | 145 | | | 115 | 244 | | | | | | |
| | 1.25 | 180 | | | 98 | 207 | | | | | | |
| DRD75 | 0.7 | 100 | 55 | 75 | 187 | 396 | 76 | 1110 | G2" | 1656 | 1089 | 1840 |
| | 0.8 | 115 | | | 177 | 375 | | | | | | |
| | 1 | 145 | | | 153 | 325 | | | | | | |
| | 1.25 | 180 | | | 138 | 292 | | | | | | |
| DRD100 | 0.7 | 100 | 75 | 100 | 248 | 526 | 75 | 1295 | G2" | 1756 | 1089 | 1840 |
| | 0.8 | 115 | | | 235 | 498 | | | | | | |
| | 1 | 145 | | | 204 | 433 | | | | | | |
| | 1.25 | 180 | | | 175 | 370 | | | | | | |
| DRD120 | 0.7 | 100 | 90 | 120 | 282 | 598 | 76 | 1300 | G2" | 1756 | 1089 | 1840 |
| | 0.8 | 115 | | | 269 | 570 | | | | | | |
| | 1 | 145 | | | 240 | 508 | | | | | | |
| | 1.25 | 180 | | | 207 | 438 | | | | | | |

* Unit performance measured according to ISO 1217. Annex C. latest edition and ISO 2151.

Pioneering components make for a revolutionary range

- 1 Controller
- 2 Oil filter
- 3 Air filter
- 4 Air cooler & oil cooler
- 5 Oil-separator vessel
- 6 Screw element



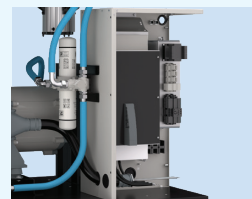
Variable speed series: CSMV60-180 PM, DRD60-120 PM

Concerning to the factory life-cycle cost, the minimal operation cost can really benefit customer investment. Designed for frequently commissioning at load and unload condition, Ceccato CSMV PM and DRD PM air compressor meets the minimum power consumption to throughout the long-term commissioning and it can cut your energy bill by up to 35%.



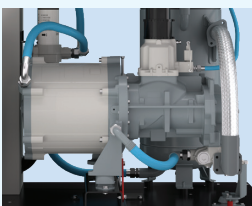
ES4000T controller

- Remotely connect to your compressor anywhere, at any given moment
- Maximize productivity by eliminating the risk of downtime
- Increase reliability through planned service interventions
- Reports suggest cost optimizations



Imperium inverter

In-house designed Imperium inverter ensures perfect match between air demand and air supply.



Oil-cooled drive train

Unique design, reliable and high efficiency drive train contribute to reduce energy loss and operation cost.



Integrated fan

- Start stop coordinated by controller in accordance with the oil temperature.

Technical Data

| Model | Working Pressure Min-Max | | Motor power | | Capacity FAD* | | Noise dB(A) | Weight kg | Connection Size | Dimensions | | |
|------------|--------------------------|---------|-------------|-----|---------------|---------|-------------|-----------|-----------------|------------|-------|-------|
| | mpa | psig | kW | hp | l/s | cfm | | | | L(mm) | W(mm) | H(mm) |
| CSMV60 PM | 0.7-1.0 | 100-145 | 45 | 60 | 28-142 | 60-300 | 74 | 750 | G1 1/2" | 1723 | 980 | 1600 |
| CSMV75 PM | 0.70-0.85 | 100-123 | 55 | 75 | 43-183 | 92-388 | 76 | 840 | G2" | 1656 | 1089 | 1840 |
| | 1.00-1.05 | 145-152 | | | 38-157 | 81-332 | | | | | | |
| CSMV100 PM | 0.70-0.85 | 100-123 | 75 | 100 | 52-210 | 109-445 | 80 | 865 | G2" | 1656 | 1089 | 1840 |
| | 1.00-1.05 | 145-152 | | | 47-182 | 99-385 | | | | | | |
| CSMV120 PM | 0.70-0.85 | 100-123 | 90 | 120 | 67-288 | 141-611 | 78 | 1080 | G2" | 1756 | 1089 | 1840 |
| | 1.00-1.05 | 145-152 | | | 60-240 | 127-509 | | | | | | |
| CSMV150 PM | 0.70-0.85 | 100-123 | 110 | 150 | 87-340 | 184-720 | 81 | 1490 | DN80 | 2052 | 1325 | 2000 |
| | 1.00-1.30 | 145-189 | | | 102-287 | 215-607 | | | | | | |
| CSMV180 PM | 0.70-0.85 | 100-123 | 132 | 180 | 98-402 | 208-851 | 81 | 1580 | DN80 | 2052 | 1325 | 2000 |
| | 1.00-1.30 | 145-189 | | | 102-340 | 215-720 | | | | | | |

| Model | Working Pressure Min-Max | | Motor power | | Capacity FAD* | | Noise dB(A) | Weight kg | Connection Size | Dimensions | | |
|-----------|--------------------------|---------|-------------|-----|---------------|---------|-------------|-----------|-----------------|------------|-------|-------|
| | mpa | psig | kW | hp | l/s | cfm | | | | L(mm) | W(mm) | H(mm) |
| DRD60 PM | 0.7-1.3 | 100-190 | 45 | 60 | 33-145 | 69-307 | 71 | 733 | G1 1/2" | 1723 | 980 | 1600 |
| DRD75 PM | 0.70-0.85 | 100-123 | 55 | 75 | 45-188 | 95-399 | 76 | 825 | G2" | 1656 | 1089 | 1840 |
| | 1.00-1.30 | 145-189 | | | 40-162 | 85-343 | | | | | | |
| DRD95 PM | 0.70-0.85 | 100-123 | 75 | 100 | 53-215 | 113-456 | 80 | 840 | G2" | 1656 | 1089 | 1840 |
| | 1.00-1.30 | 145-189 | | | 43-185 | 92-392 | | | | | | |
| DRD100 PM | 0.70-0.85 | 100-123 | 75 | 100 | 58-250 | 124-530 | 77 | 1035 | G2" | 1756 | 1089 | 1840 |
| | 1.00-1.30 | 145-189 | | | 48-213 | 102-452 | | | | | | |
| DRD120 PM | 0.70-0.85 | 100-123 | 90 | 120 | 70-300 | 148-636 | 77 | 1065 | G2" | 1756 | 1089 | 1840 |
| | 1.00-1.30 | 145-189 | | | 55-255 | 117-540 | | | | | | |

* Unit performance measured according to ISO 1217, Annex C, latest edition and ISO 2151.

Features and benefits

- 1 Less downtime
- 2 Robust and user-friendly
- 3 Industrial leading efficiency class



Revolutionary drive train technology

Improved energy efficiency saves your money

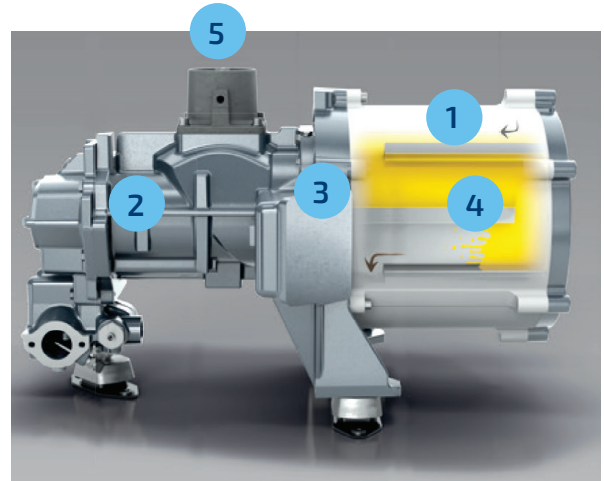
- In-house designed oil-cooled PM motor with oil-cooled PM Super Premium Efficiency.
- New generation in-house designed screw elements, with improved efficiency.
- Integrated direct drive transmission for minimal losses.
- Smart inlet valve optimizes the inlet flow and improves efficiency.

Increased reliability extends lifetime

- Oil-cooled PM motor rated IP66, premium protection against dust and water ingress.
- Globally renowned screw elements, proven in thousands of installations.
- Optimal cooling at all speeds and conditions thanks to oil-cooling principle of the oil-cooled PM motor.

Maintenance-free design minimizes downtime and improves your productivity

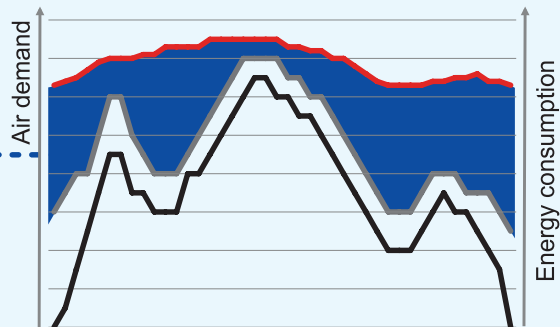
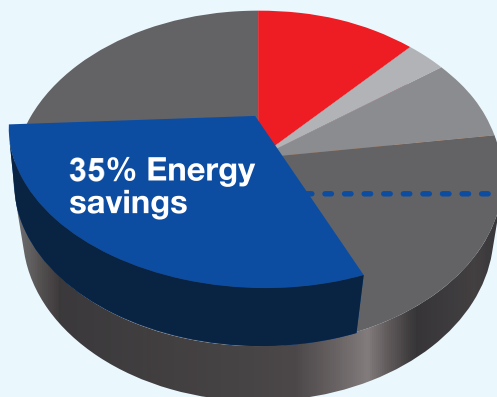
- Coupling-free direct drive design, no maintenance needed.
- Smart inlet valve, no maintenance needed.



- 1 Oil-cooled PM motor
- 2 In-house designed screw elements
- 3 Direct drive
- 4 Oil-cooling
- 5 Smart inlet valve

We protect your efficiency

Energy costs represent about 70% of the total operating cost of your compressor over a 5 year period. That's why reducing the operating cost of a compressed air solution is a major focus. Variable frequency driven compressors can cut the energy bill of your compressor by up to 35%.



- 12% investment
- 3% installation
- 8% Service
- 77% Energy consumption
- Air demand
- Variable frequency driven costs
- Load Unload costs
- Savings

A total solution for your quality air

Complete compressor room solutions

- 1 Air compressor
- 2 Air dryer
- 3 Line filters
- 4 Oil separators
- 5 Air receiver buffer storage
- 6 Piping system
- 7 Central controller



Line Filters

Purify the compressed air by eliminating oil/dust contaminants resulting in higher final product quality and an increase of your overall productivity.

Air Receiver

Buffer storage for compressed air. Helps with condensate separation, pressure stabilization and more efficient operation of the compressor.

Oil Water Separator

Captures the oil in compressor condensate so it can be disposed of in a safe and environment-friendly way.

AIRnet

Fast to install, reliable piping system, designed for compressed air applications offers lowest total cost of ownership.

Complete your compressed air installation with an ICONS plan

What if your compressor needs service or an immediate intervention? With an ICONS plan, you get an alert from your controller delivered straight to your computer, tablet or smartphone. Wherever you are, you can take immediate action and reduce the risk of downtime and other costs.

With connectivity



Without connectivity





Contact your local representative:

www.ceccato.com



CARE

Care is what service is all about: professional service by knowledgeable people, using high-quality original parts.

TRUST

Trust is earned by delivering on our promises of reliable, uninterrupted performance and long equipment lifetime.

EFFICIENCY

Equipment efficiency is ensured by regular maintenance. Efficiency of the service organization is how Original Parts and Service make the difference.

© March 2023, Ceccato. All rights reserved. All mentioned brands, product names, company names, trademarks and service marks are the properties of their respective owners. Our products are constantly being developed and improved. We thus reserve the right to modify product specifications without prior notice. Pictures are not contractually binding.

